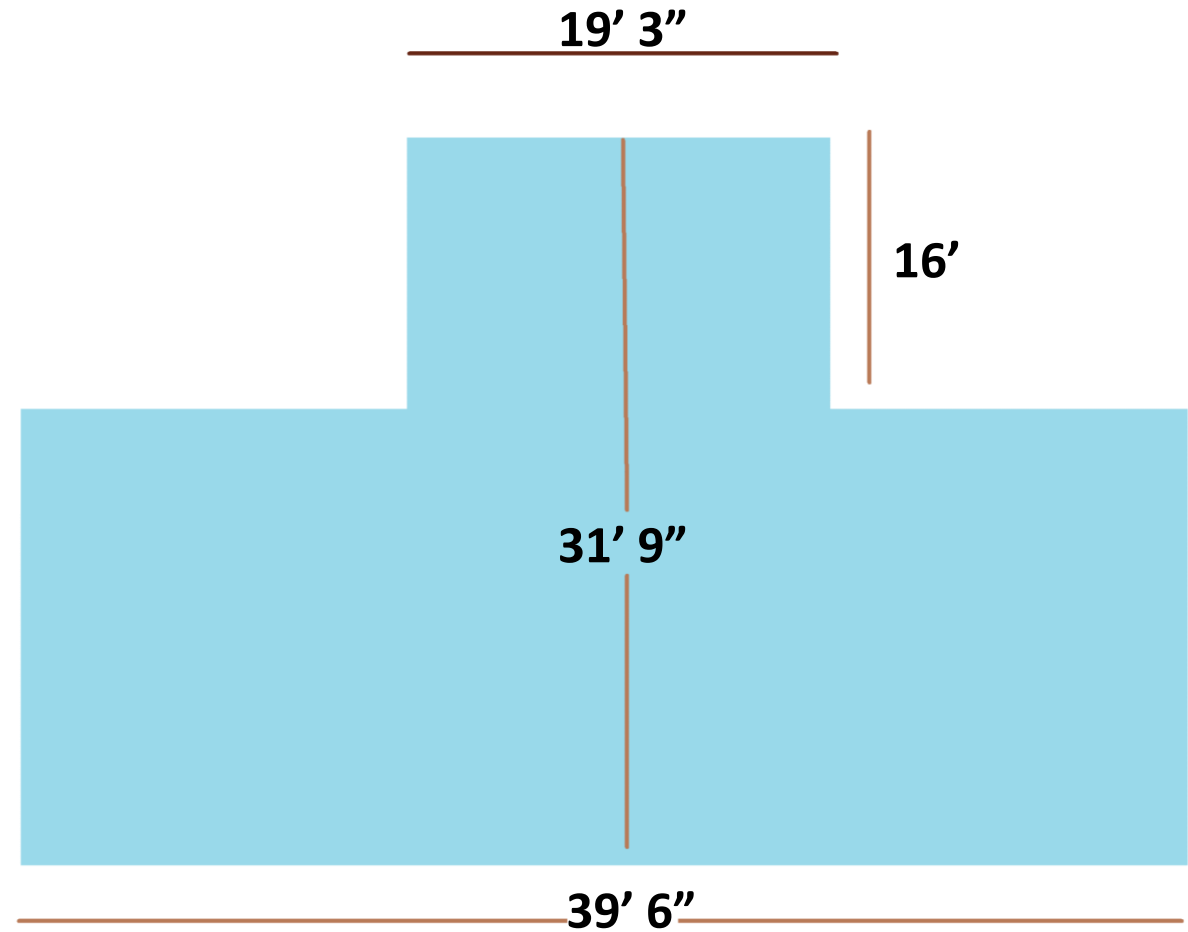


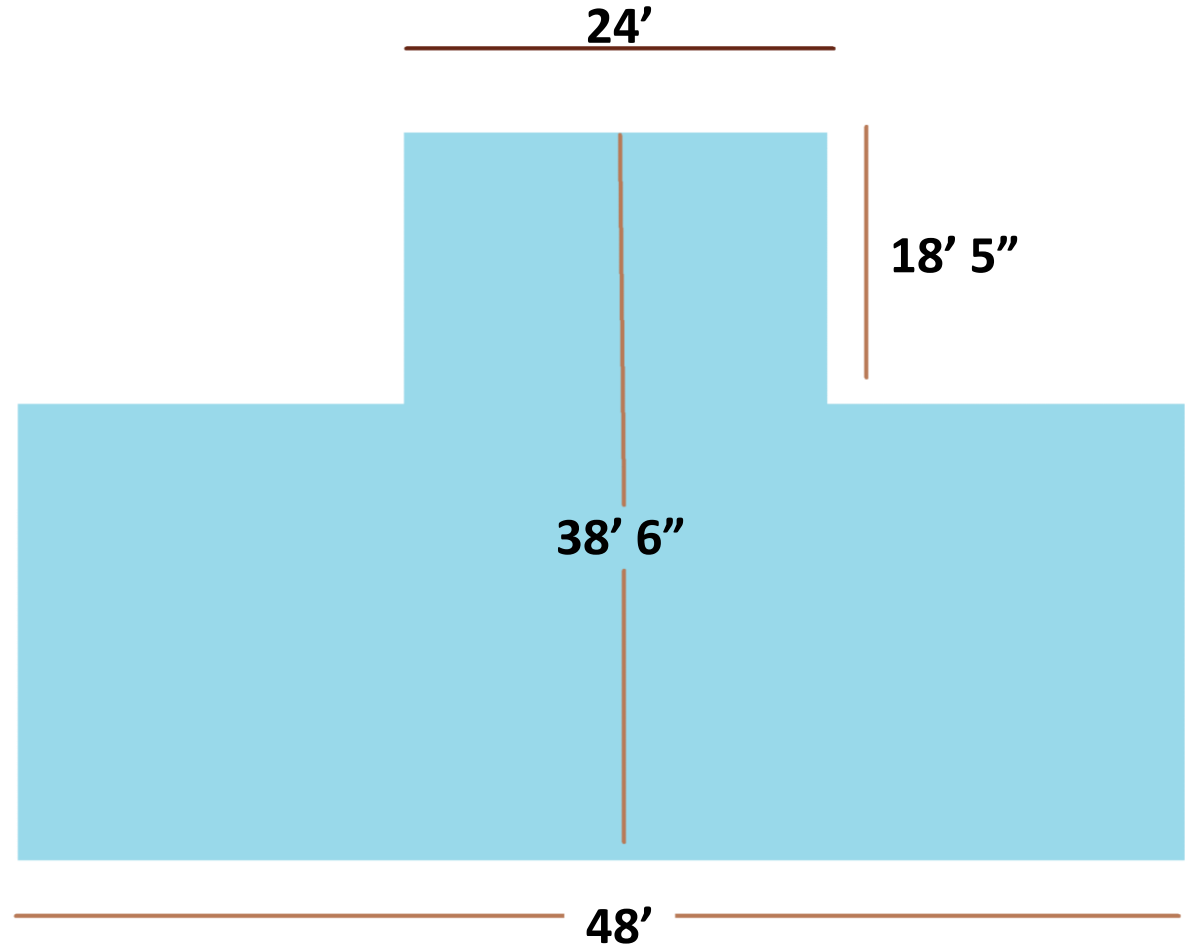
South T- Hangars (1-4)

- Building- Old T's.
- \$197.00 / month
- 930sq. Ft
- Sliding Doors
- Door Height
10"x0"



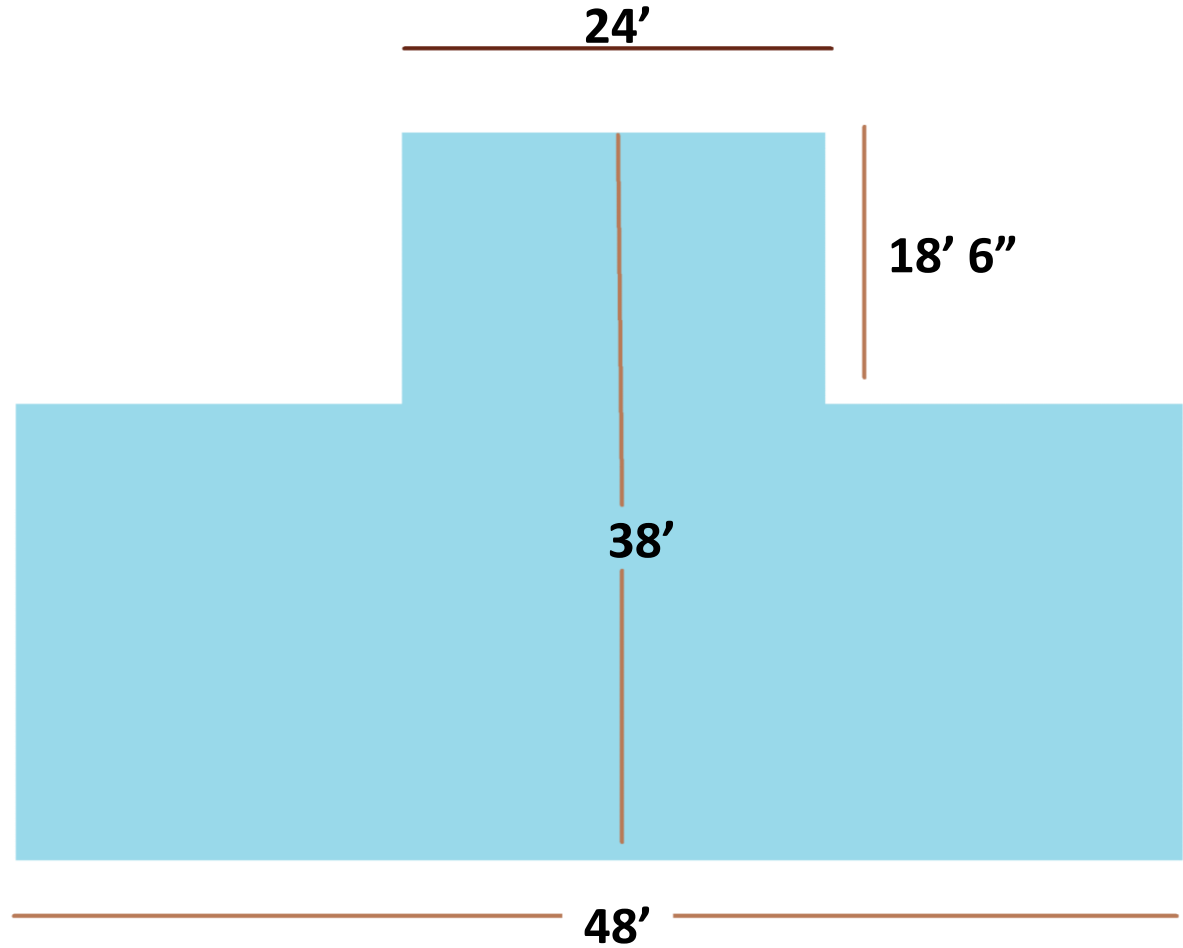
T- Hangar (01-30)

- Buildings G, H, I.
- \$281.00 / month
- 1,404sq. Ft
- Door Height 13'.9"



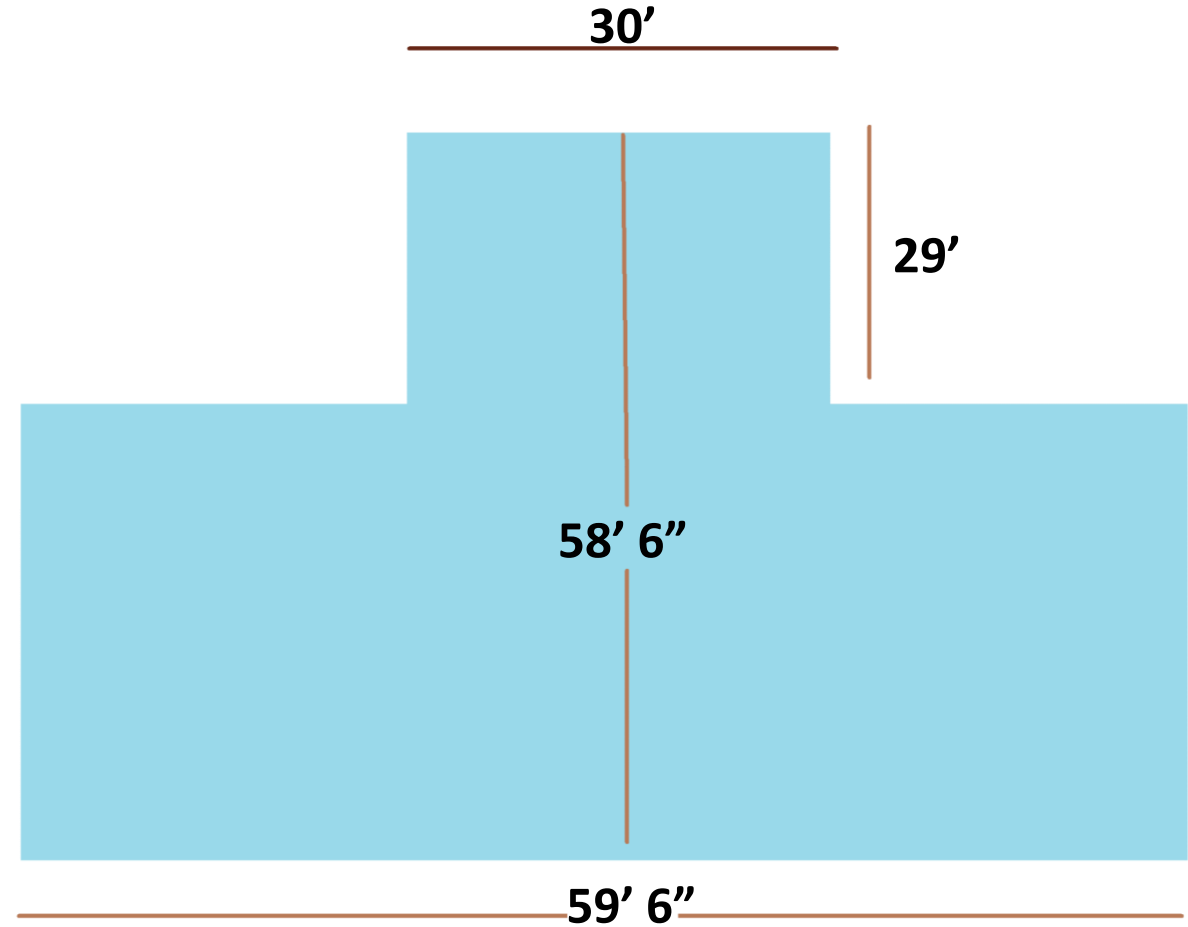
T- Hangar (31-34, 39-42)

- **Building J.**
- **\$281.00 / month**
- **1,380sq. Ft**
- **Door Height 15'.6"**



T- Hangar (35-38) “Large T-Hangars”

- Building J.
- \$686.00 / month
- 2,625sq. Ft
- Door Height 16'.00”



Corp. Hangars (A,B,C)

- \$0.32 sq foot / month
- 3,500sq. Ft
- Storage unit & RR
- Door Height 15'x6"

