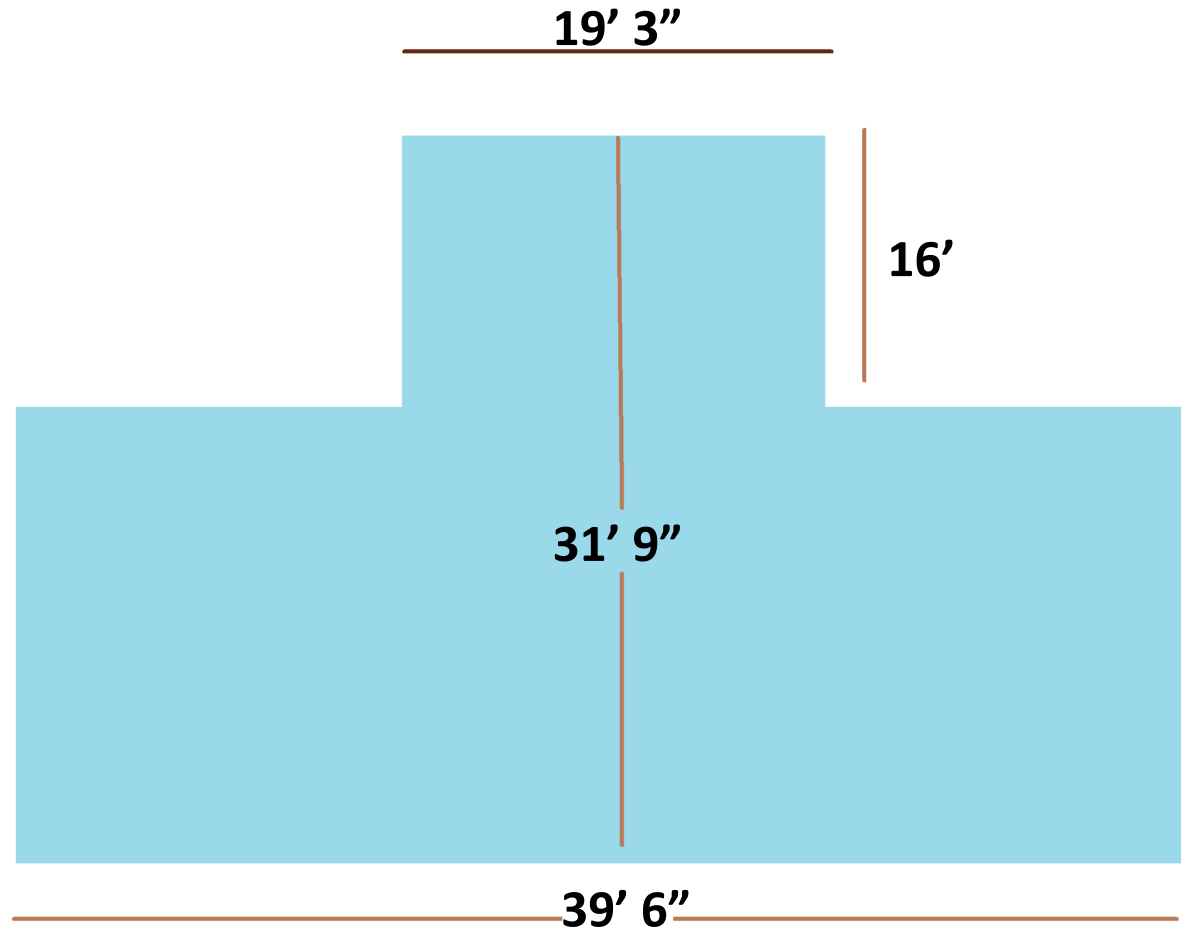


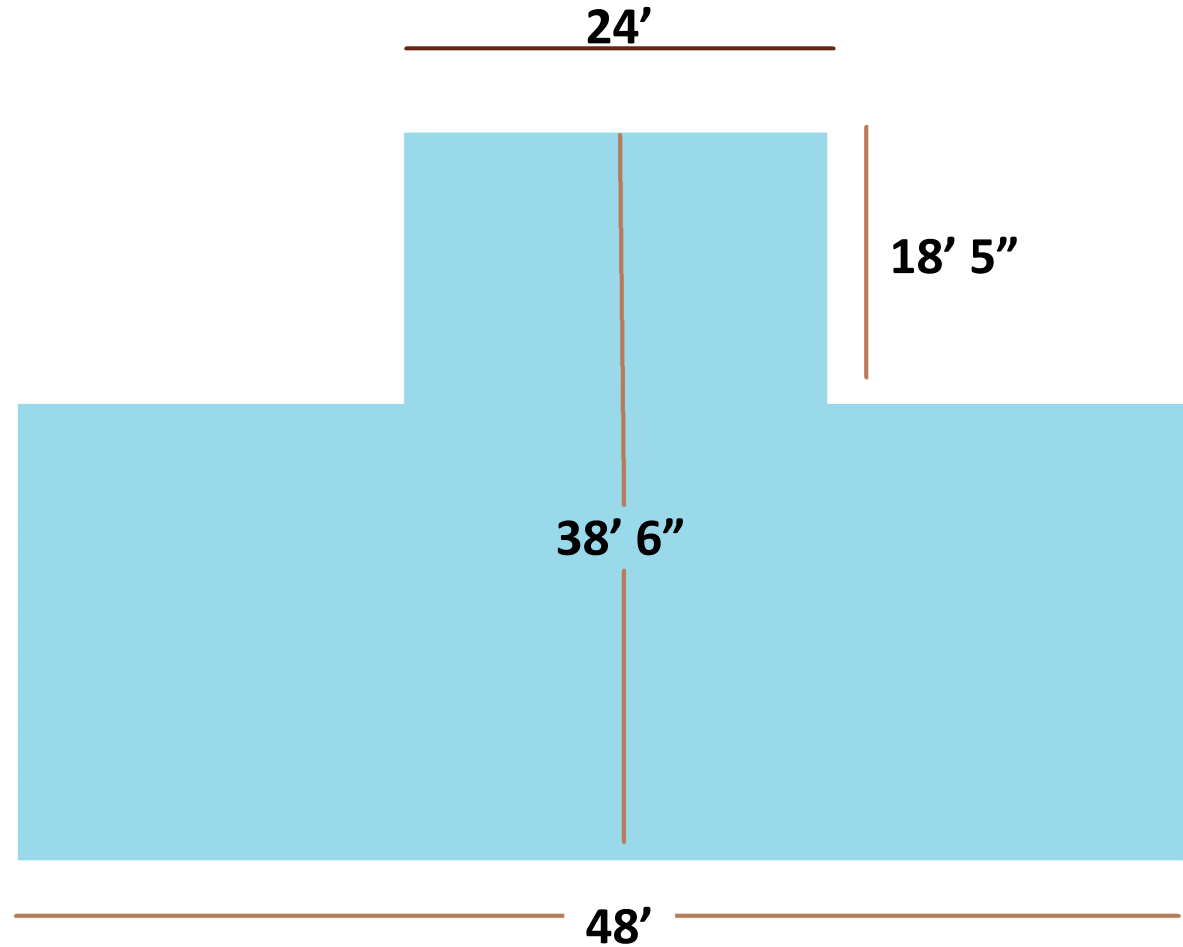
South T- Hangars (1-4)

- Building- Old T's.
- \$190.00 / month
- 930sq. Ft
- Sliding Doors
- Door Height 10"x0"



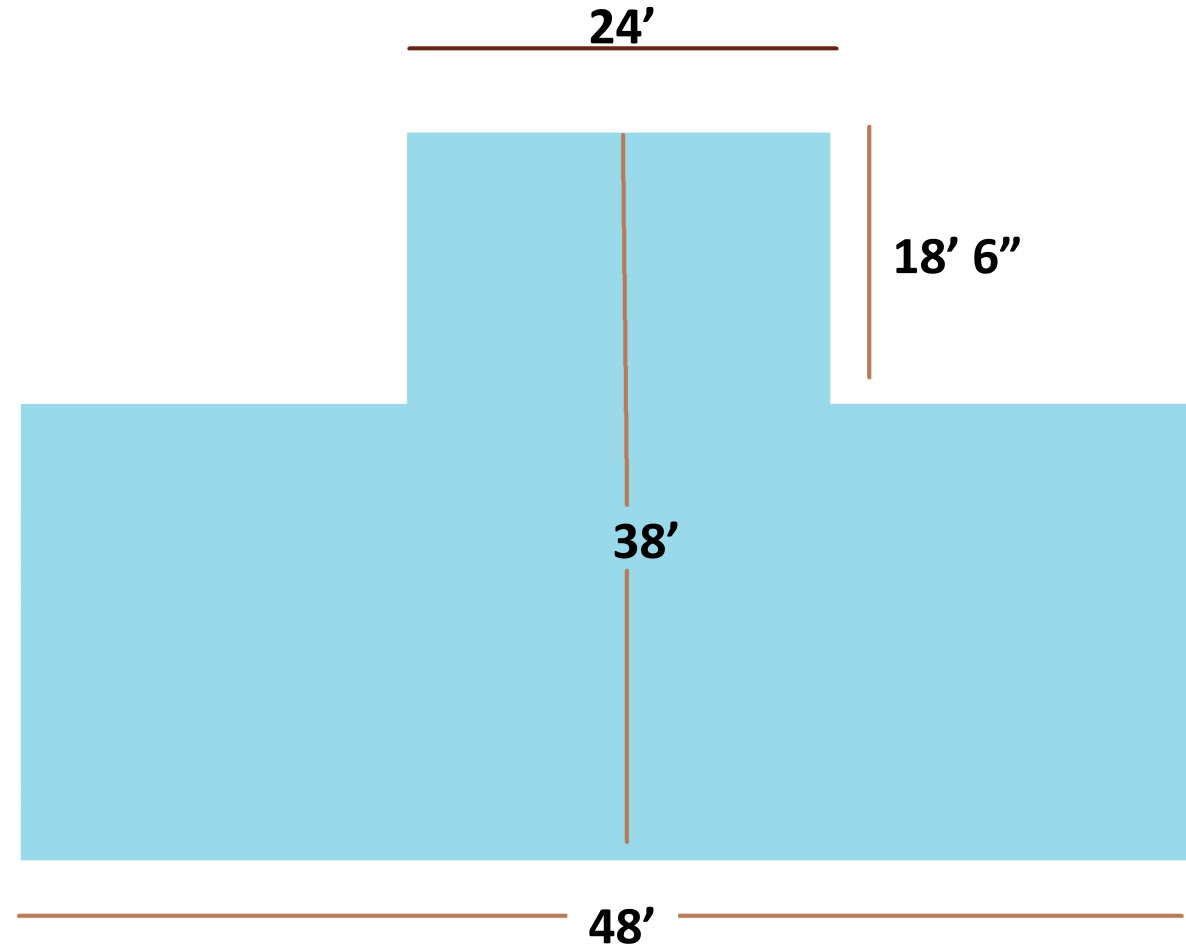
T- Hangar (01-30)

- Buildings G, H, I.
- \$225.00 / month
- 1,404sq. Ft
- Door Height 13'.9"



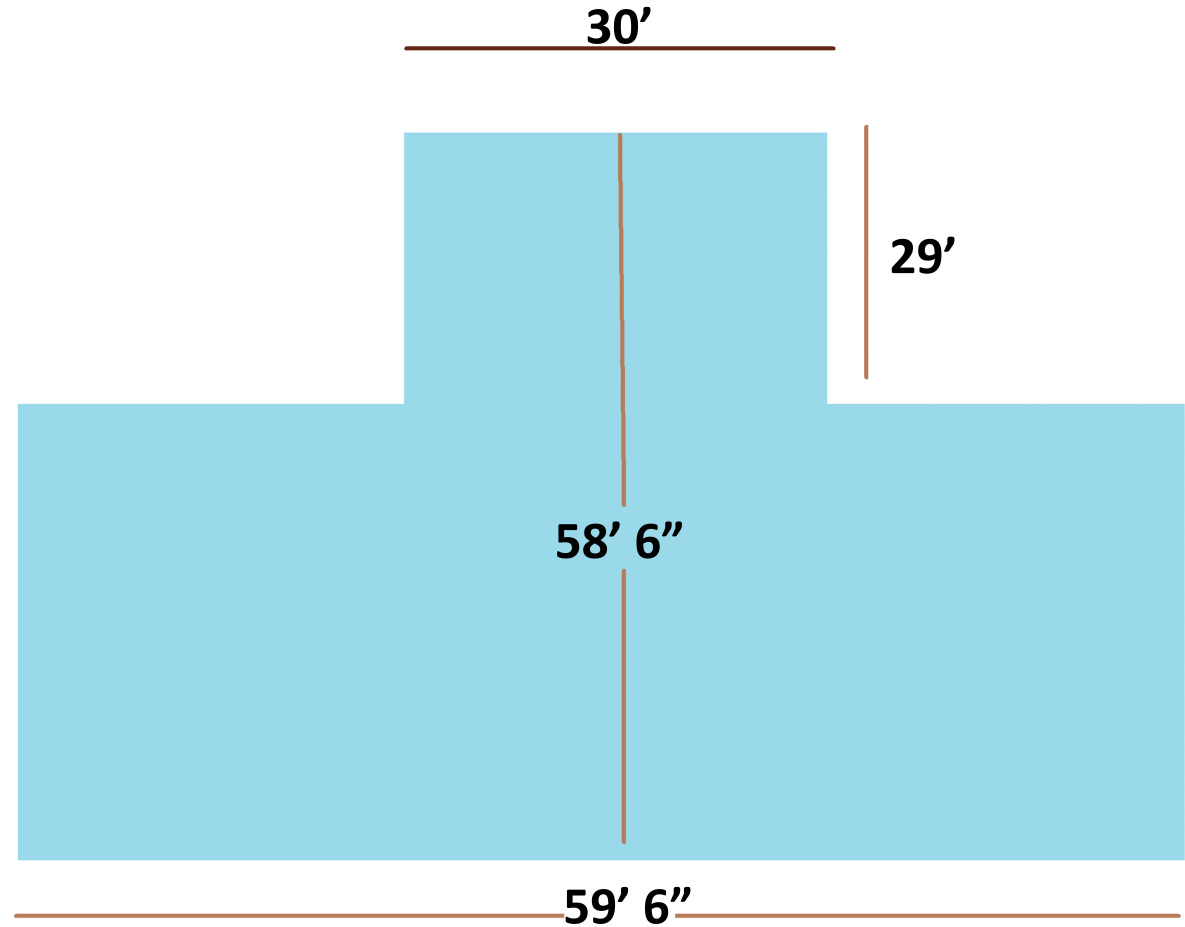
T- Hangar (31-34, 39-42)

- **Building J.**
- **\$225.00 / month**
- **1,380sq. Ft**
- **Door Height 15'.6"**



T- Hangar (35-38)
“Large T-Hangars”

- **Building J.**
- **\$550.00 / month**
- **2,625sq. Ft**
- **Door Height 16'.00”**



Corp. Hangars (A,B,C)

- \$800.00 / month
- 3,500sq. Ft
- Storage unit & RR
- Door Height 15'x6"

