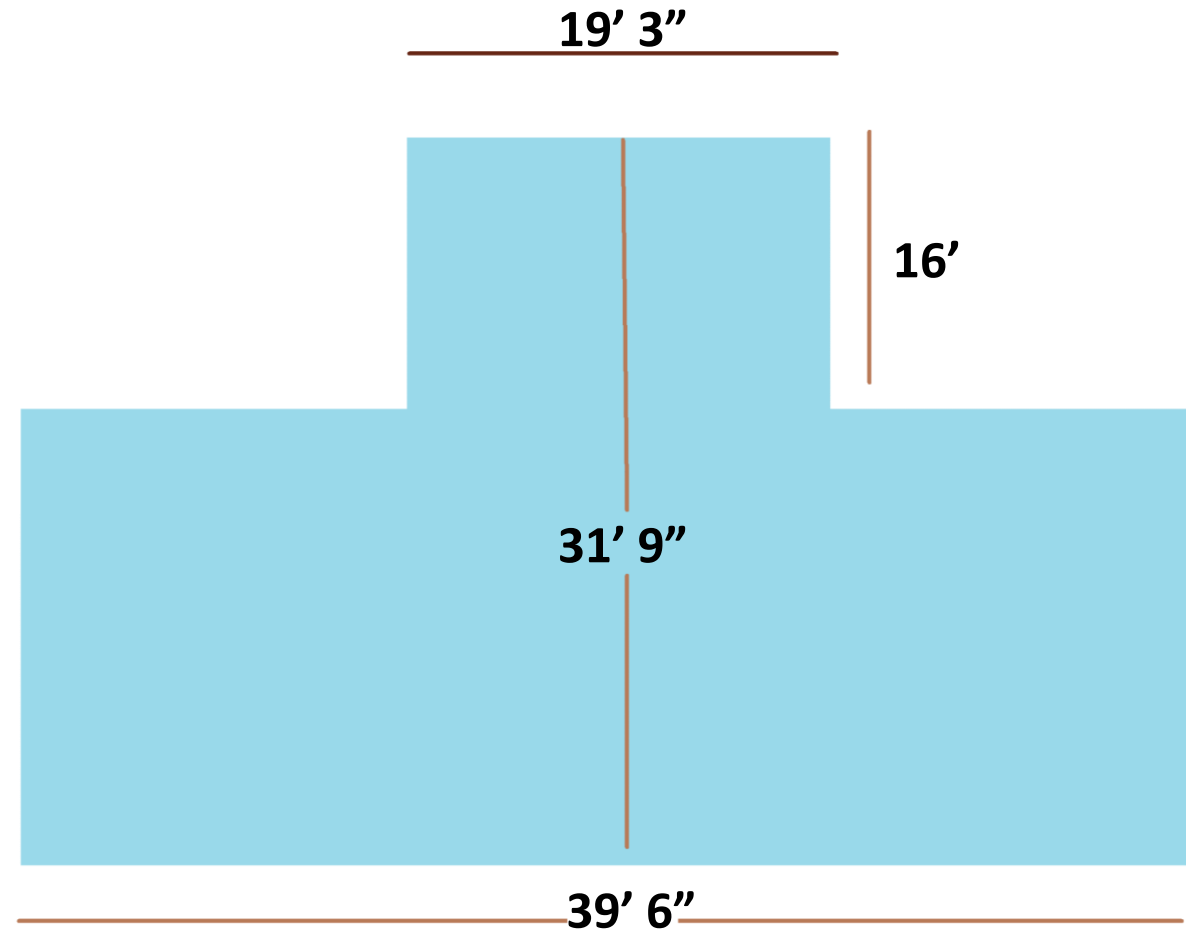


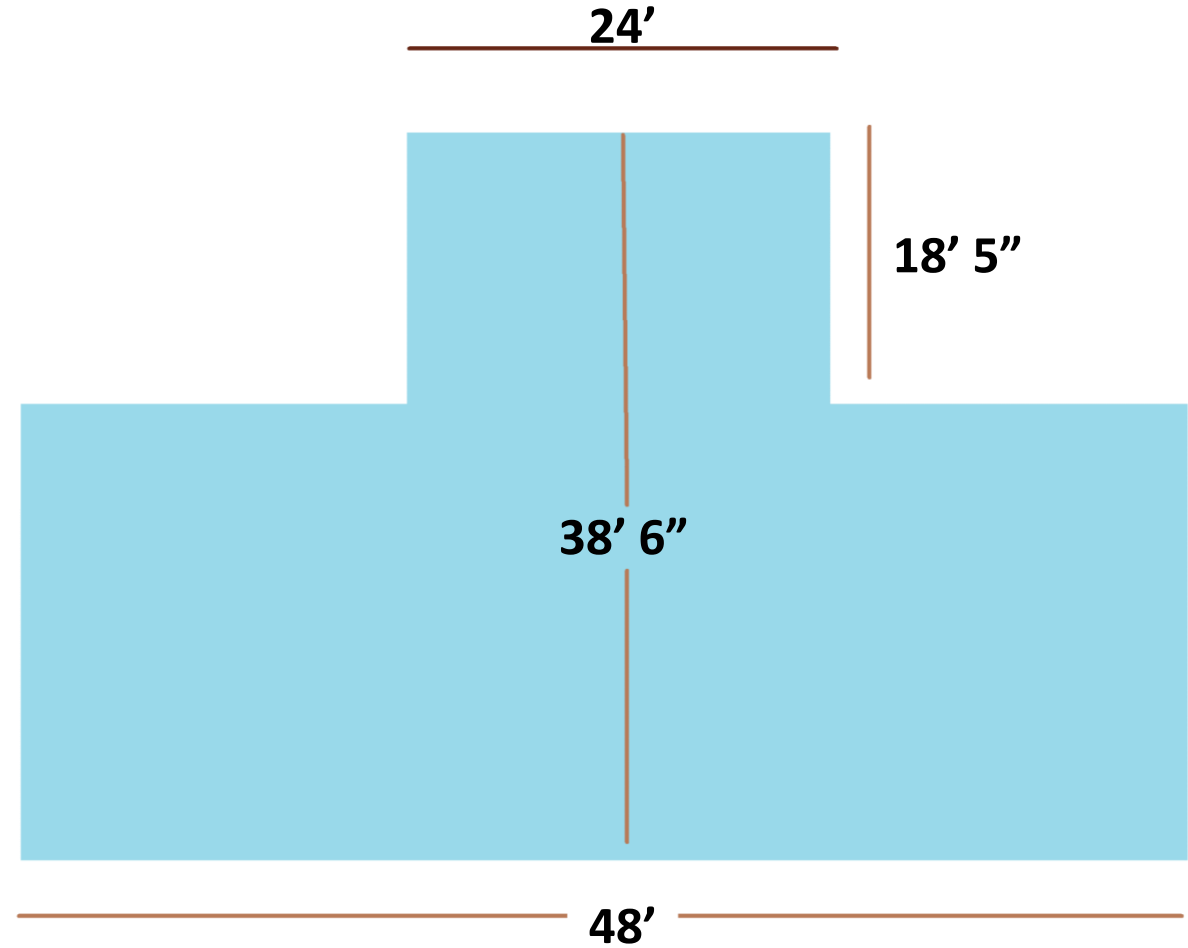
## South T- Hangars (1-4)

- Building- Old T's.
- \$190.00 / month
- 930sq. Ft
- Sliding Doors
- Door Height 10"x0"



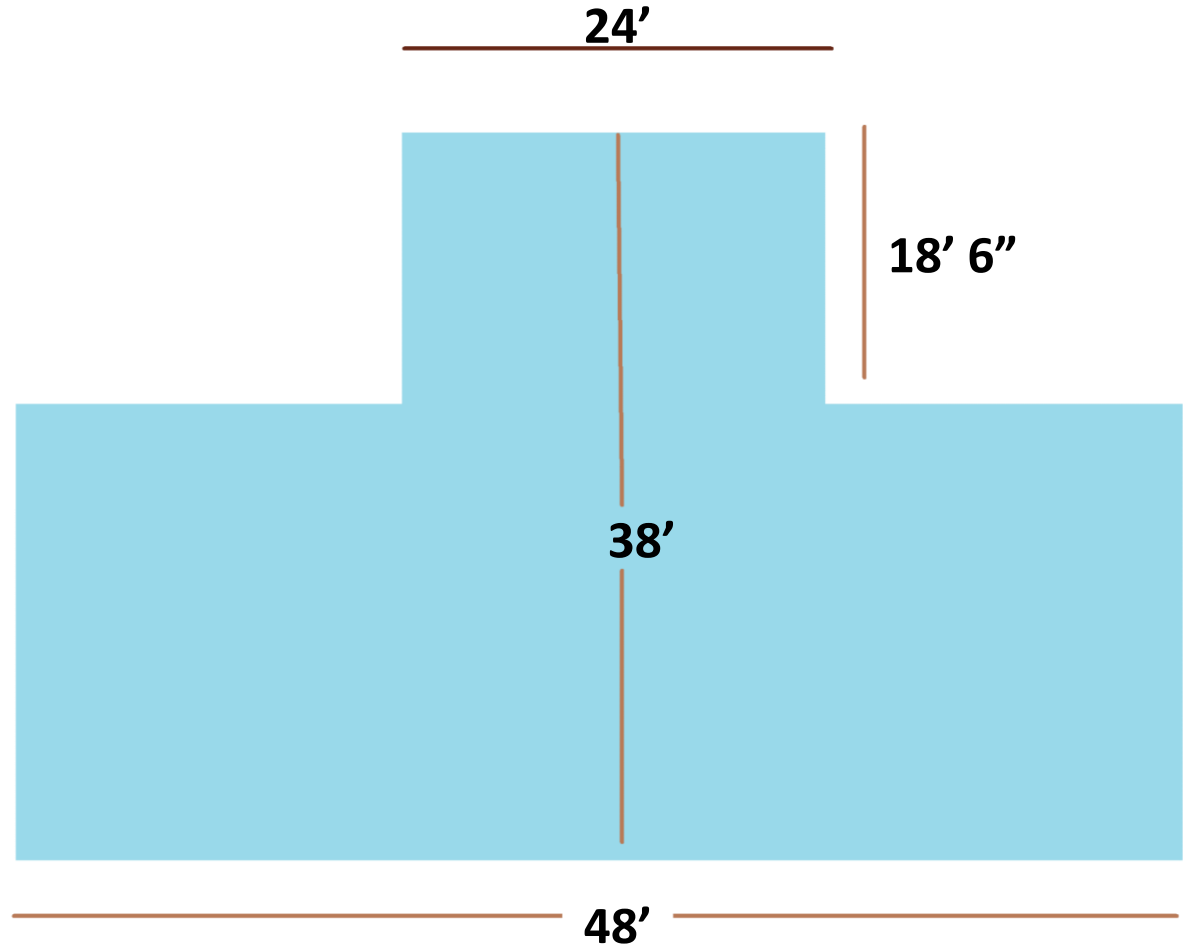
## T- Hangar (01-30)

- Buildings G, H, I.
- \$270.00 / month
- 1,404sq. Ft
- Door Height 13'.9"



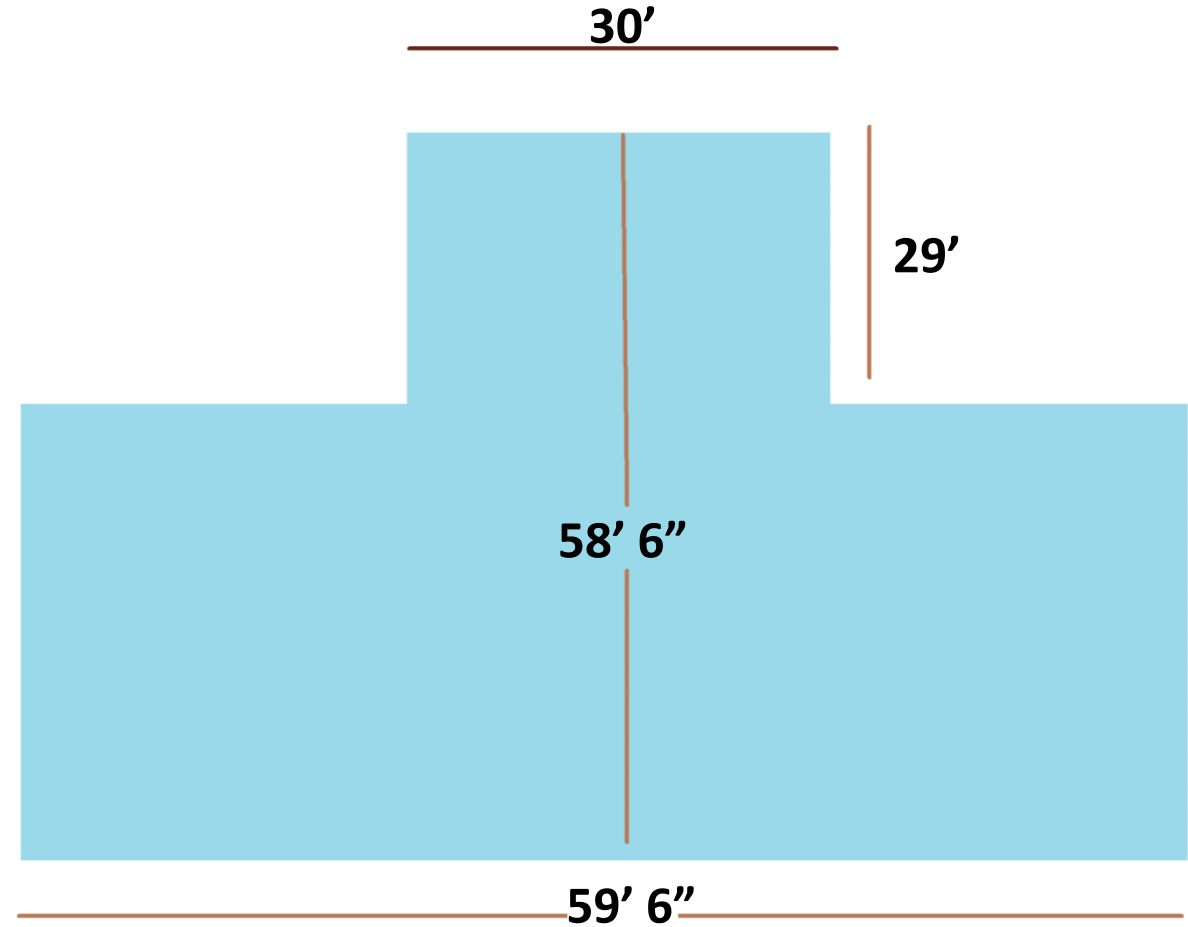
## T- Hangar (31-34, 39-42)

- Building J.
- \$270.00 / month
- 1,380sq. Ft
- Door Height 15'.6"



# T- Hangar (35-38) “Large T-Hangars”

- Building J.
- \$660.00 / month
- 2,625sq. Ft
- Door Height 16'.00”



## Corp. Hangars (A,B,C)

- \$800.00 / month
- 3,500sq. Ft
- Storage unit & RR
- Door Height 15'x6"

